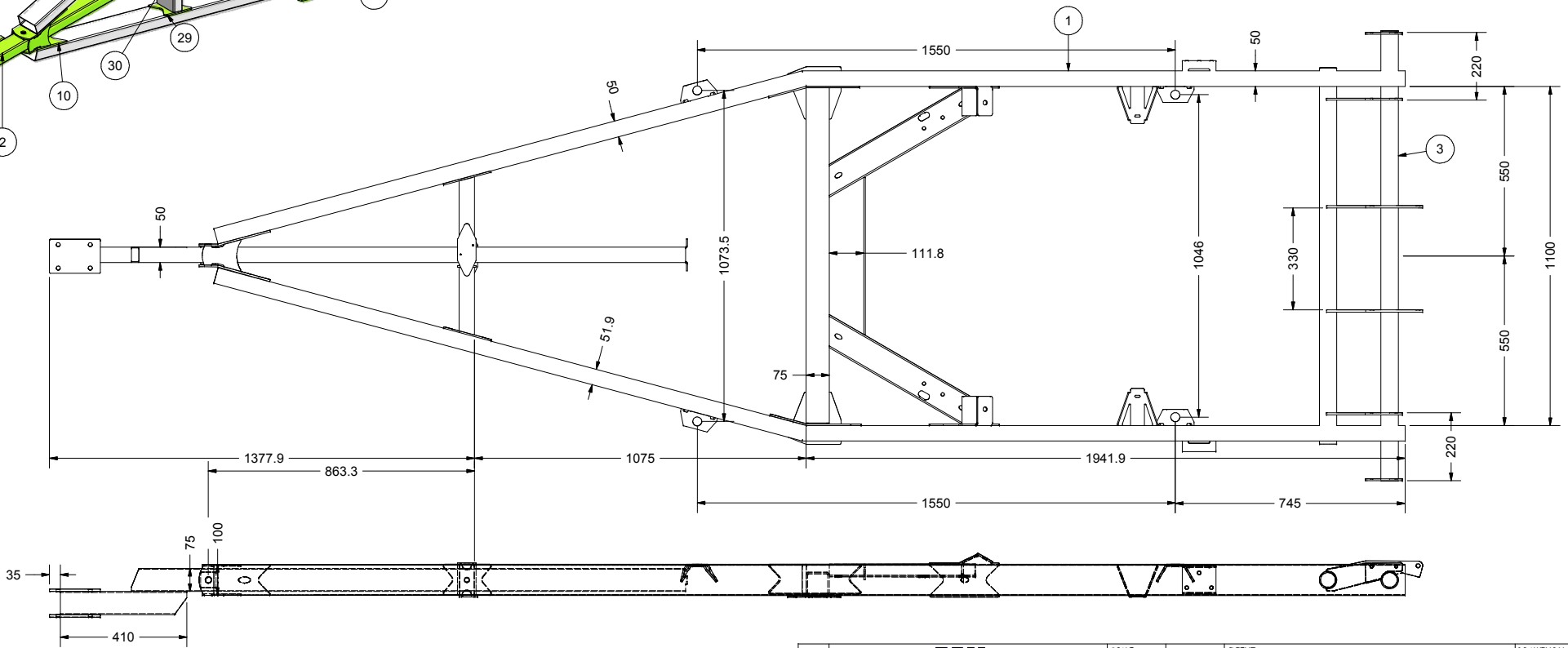


Parts List			
ITEM	QTY	PART NUMBER	MATERIAL
1	2	CC2002-4 CHASSIS SIDE RAIL-2	100X50X2.5 RHS
2	1	CC2003-1 DRAW BAR MAIN MEMBER	75X50X3 RHS
2	2	CC2025-1 DRAW BAR CROSS MEMBER	100x50x2 RHS
3	1	CC2029-1 LONG REAR CROSS MEMBER	40 NB H W PIPE
4	1	CC2030-1 SHORT REAR CROSS MEMBER	40 NB H W PIPE
5	1	CC2004-3 MAIN CROSS MEMBER	75X75X5 RHS
6	2	CC2006-5 SPRING TOP MOUNT	Mild Steel 5.0mm
7	4	CC2017-2 Tow Point Plate Draw Bar	Mild Steel 4.0mm
8	2	CC2009-1 CROSS MEMBER PLATE	Mild Steel 5.0mm
9	2	CC2012-3 CHASSIS FRONT PLATE	Mild Steel 5.0mm
10	2	CC2013-3 TOW POINT	Mild Steel 6.0mm
11	2	CC207-3 TOP SHOCK ABSORBER MOUNT	Mild Steel 5.0mm
12	2	CC2011-4 SIDERAIL REINFORCING PL	Mild Steel 5.0mm
14	2	CC2015-5 SPRING MOUNT BRACE	Mild Steel 5.0mm
15	4	CC2019-4 CHASSIS MOUNT	Mild Steel 5.0mm
16	2	CC2020-1 TANK CHASSIS BRACKET	Mild Steel 4.0mm
17	2	CC2021-1 STABILIZER LEG BRKT	Mild Steel 4.0mm
18	2	CC2022-1 FRONT CROSS MEMBER PLATE	Mild Steel 5.0mm
19	2	CC2023-2 FRONT CM BRIDGE PLATE	Mild Steel 5.0mm
20	2	CC2024-1 GUIDE PLATE	Mild Steel 5.0mm
21	2	CC2026-1 TYRE BKT CHASSIS MOUNT	Mild Steel 8.0mm
22	2	CC2027-1 COUPLING MOUNT PLATE	Mild Steel 8.0mm
23	1	CC2028-1 DRAW BAR DROP PIECE	Mild Steel 3.0mm
24	2	CC2031-1 REAR RACK MOUNT	Mild Steel 6.0mm
25	2	CC2031-1 REAR RACK MOUNT OUTER	Mild Steel 6.0mm
26	1	CC2033-2	Mild Steel 5.0mm



DO NOT SCALE IF IN DOUBT ASK ROCKLEA PRESS	ALL RIGHTS RESERVED		SCALE	DATE	CLIENT	DRAWING No.
	<b>ROCKLEA PRESSED METAL PTY LTD</b> 29 COLEBARD STREET EAST, ACACIA RIDGE, QLD, 4110, AUSTR. P.O. BOX 984 ARCHERFIELD, QLD, 4108, AUSTR. PH. 07-3275 1566 FAX 07-3275 1356 PHIL@ROCKLEA.COM.AU		NTS	28/04/2008	<b>CAMP IN COMFORT</b>	CC2000
	DRAWN PBS	APPROVED	DESCRIPTION CHASSIS ASSY.iam	MATERIAL	SHEET # 1	REV A

R:\AUTOCAD\CAMPIN\CHASSIS ASSY.idw

ALL DIMENSIONS IN MILLIMETRES UNLESS NOTED OTHERWISE